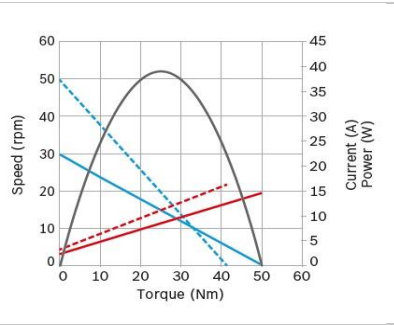


0986337209

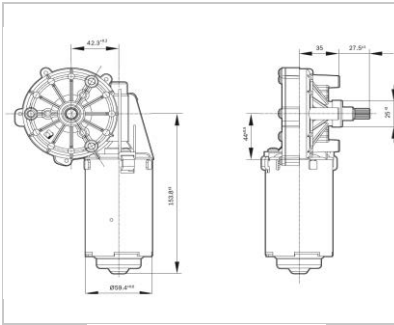
Motor PN

Voltage (V):	24
Power (W):	14,4 / 8,8
Nominal speed (rpm):	46 / 28
Nominal torque (Nm):	3
Nominal current (A):	4 / 3
Gear ratio:	78:1
IP level:	50
Hall sensor:	No
Rotation of direction:	CCW
Predecessor:	0390242409

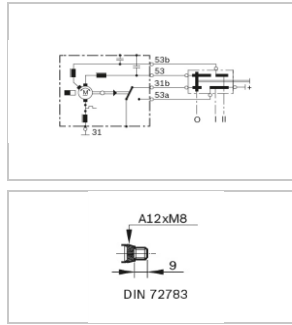
Technical data



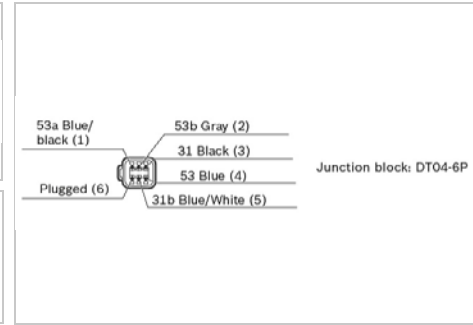
Characteristic Curve



Dimensions*



Wiring Diagram / Drive End



Connector

* For detailed information please contact your Bosch sales team.

